

RAFIX 22 FS+

Compact emergency stop button

→ The new compact emergency stop button is a consistent addition to the RAFIX 22 FS+ control component range. The shape of the actuator prevents blockage or misuse of the emergency stop button. For example, an initiated emergency stop procedure cannot be interrupted by jammed objects. Featuring an installation height of only 25.9 mm in front of the front panel, the RAFIX FS+ compact emergency stop button is suitable for use with QC and PCB contact blocks.



Technical properties

→ Installation dimensions

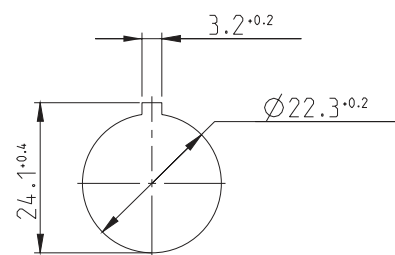
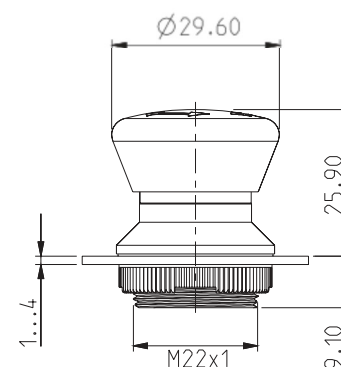
Mounting depth	PCB 9.2 mm, QC 27 mm
Mounting hole	22.3 mm
Pushbutton grid	30 x 30 mm

→ Mechanical design

Fixing	Threaded rings
Contact function	latching
Illuminated	yes
Reset	by turning

→ Further details

Min. operating temperature	-25° C
Max. operating temperature	+70° C
Protection type front	IP 65
Storage temperature	-40° C
Max. storage temperature	+80° C
Environmental resistance	as per IEC 60068-2-14, -30, -33 and -78
Salt spray	IEC 600 68-2-11



Mounting hole as per IEC 60947-5-1

Approvals



IEC 60947-5-x, 60904, 6007360904, 60073 in preparation



CCC in preparation



UL 508 in preparation

Reset	Illuminated	Protection type front	Order number
by turning	yes, arrow	IP65	1.30.273.301/2200

Use only emergency stop contact blocks.