

# Product Specification

Compotech Provider AB  
Gustavslundsvägen 145  
167 51 Bromma, SWEDEN

# xynrgi

PRODUCT FUNCTION:

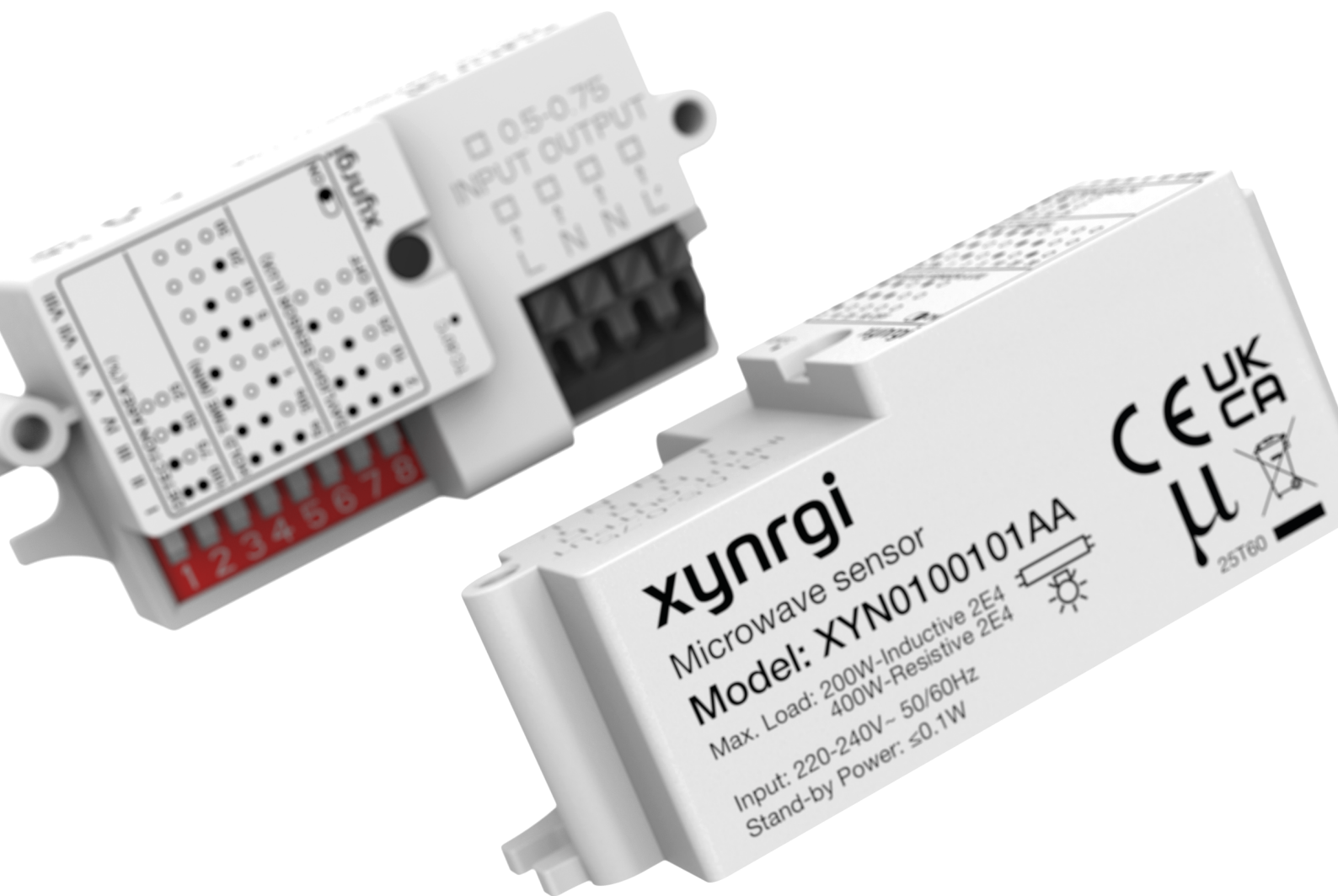
Lighting control switch / Microwave sensor

MODEL NO:

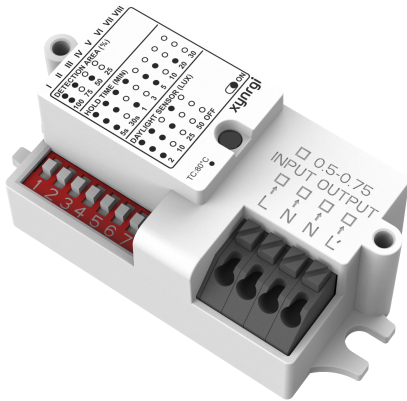
XYN0100101AA

ISSUE DATE:

April 28, 2023



## 1- Features



- 1- Conform to new ERP standards; low stand-by power.
- 2- 5.8GHz microwave license-free ISM wave band; bulk order are compliant with RED approval.
- 3- Compact size design, can be built-in most of light fixtures.
- 4- Simple to operate: adjusting DIP switches to change detection area, hold time, daylight sensor and other parameters.
- 5- Input and output terminals are convenient for connecting.

## 2- Parameters

<b>Input</b>	Voltage Range Rated Voltage Stand-by Power Surge Test	220-240Vac 50/60Hz 230Vac ≤0.1W 1KV(L/N, EN61000-4-5)
<b>Output</b>	Working Mode Type of Load Load Capacity Max. Surge Capacity	ON/OFF Inductive or Resistive Load 200W@230Vac(Inductive Load), 400W @230Vac(Resistive Load) 20A (50% Ipeak, twidth =500uS, 230Vac full load, cold start); 40A (50% Ipeak, twidth =200uS, 230Vac, full load, cold start)
<b>Sensor parameters</b>	Operating Frequency Transmitting power Hold time Detection Daylight	5.8 GHz ±75 MHz, ISM Wave Band 1mW Max 5S/30S/1min/3min/5min/10min/20min/30min 100%/75%/50%/25% Normal Daylight Sensor 2Lux/10Lux/25Lux/50Lux/Disable (Ambient diffusion status)
<b>Operating environment</b>	Detection radius (100% detection area) Mounting Height Detecting Angle  Operating Temperature Storage Temperature Maximum shell temperature(Tc)	Ceiling Mounting at 3m height: 0.3m/S ≥3.5m, 1m/S ≥2.5m Wall Mounting at 2m height: 0.3m/S ≥8m, 1m/S ≥4m Typical Value: 3m (4m Max) Ceiling mount 150°  -25°C~60°C -40°C~80°C Humidity: ≤85%(Non-condensing) 80°C
<b>Certificate standards</b>	Safety Standards EMC Standards Environmental Requirement Certificate	EN61058-1-2, EN61058-1 EN61058-1,EN61000-3-2, EN61000-3-2, EN62479 EN301489-1, EN55015, EN300440 Compliant to RoHS CE, RED, TUV
<b>Others</b>	Wiring IP Rating Protection Class Installation Dimension Package Net Weight Lifetime	Press-in Type Terminals, wire diameter:0.5-0.75mm <sup>2</sup> IP20 Class II Built-in 61.0*29.0*23.0mm Bubble bag+Clapboard + Carton(K=A) 25.2g 5 years warranty @Ta 230V full load

### 3- Function

#### 1- ON/OFF Function



With sufficient ambient light, the light will not be switched on even if with motion signal.



With sufficient ambient light, the sensor switches on the light when motion is detected.



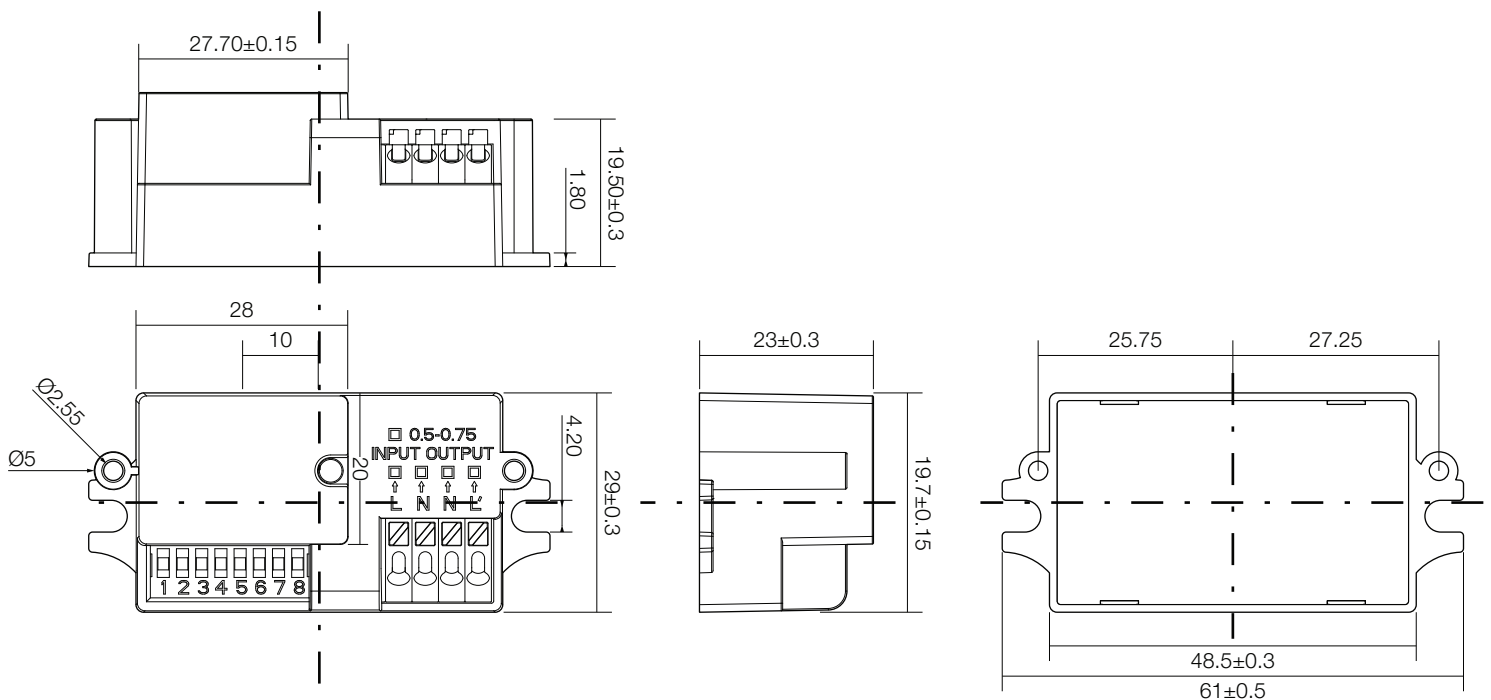
After elapse of hold time, the sensor switches off the light when no motion is detected.

Setting daylight sensor to “disable” or ambient brightness is lower than the preset daylight sensor value, when detecting moving signals sensor starts working and light will turn on. When hold time ends, light will turn off.

#### 2- Override Function

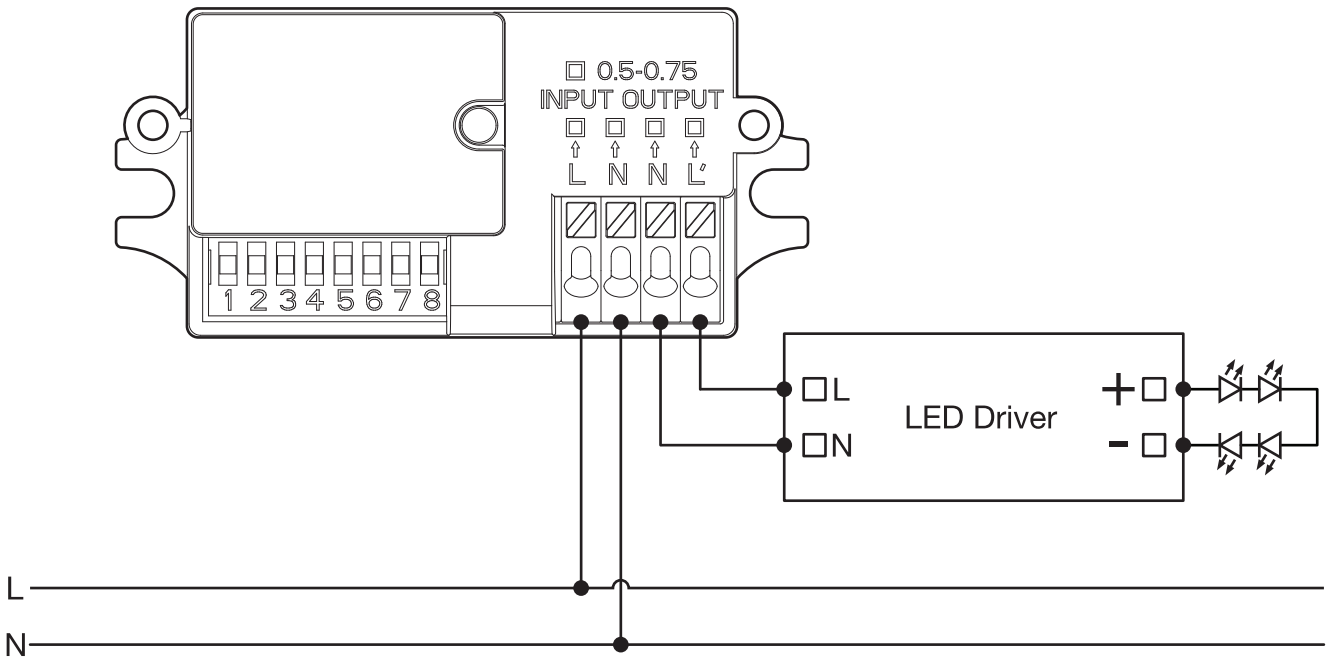
Light will constantly remain on after continuously turning on and off light five times in two second. Recover sensing function when power on again.

### 4- Dimensions



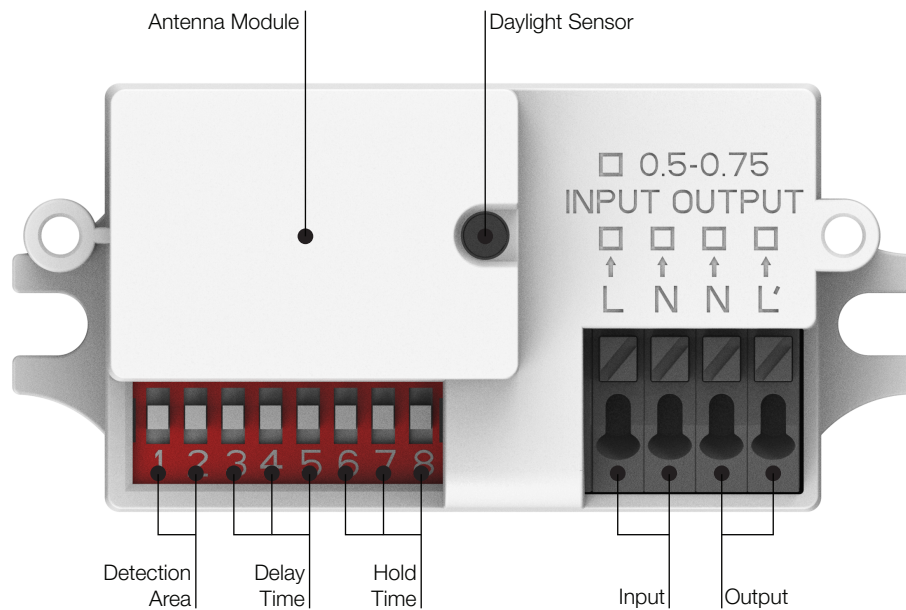
All units are in mm

## 5- Wiring



The sensor is allowed to be connected to one load only. The sensor may be damaged if connecting more than one load.

## 6- Structure



## 7- DIP Switch Settings

### 1- Detection area

I	II	III	IV	V	VI	VII	VIII
DETECTION AREA (%)							
●	●	○	○				
●	○	●	○				
100	75	50	25				

### 2- Hold Time

I	II	III	IV	V	VI	VII	VIII
HOLD TIME (MIN)							
●	●	●	●	○	○	○	○
●	●	○	○	●	●	○	○
●	○	●	○	●	○	●	○
5s	30s	1	3	5	10	20	30

### 3- Sensor

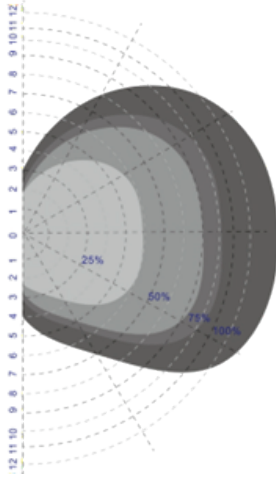
I	II	III	IV	V	VI	VII	VIII
DAYLIGHT SENSOR (LUX)							
●	●	○	●	○			
●	●	●	○	○			
●	○	○	○	○			
2	10	25	50	OFF		<input checked="" type="checkbox"/> ON	

\*Setting "Disable", sensor turns light when detecting moving object whether the daylight brightness is enough or not.

\*Daylight thresholds are typical values that are measured on a sunny day without shadow and in an ambient light diffuse reflection status.

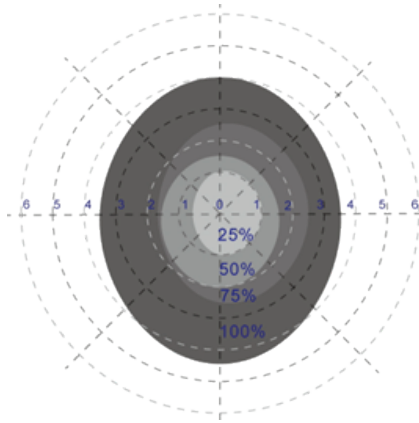
## 8- Radiation pattern

Wall Mounting Height: 2m  
 Detection Area: 100%/75%/50%/25%



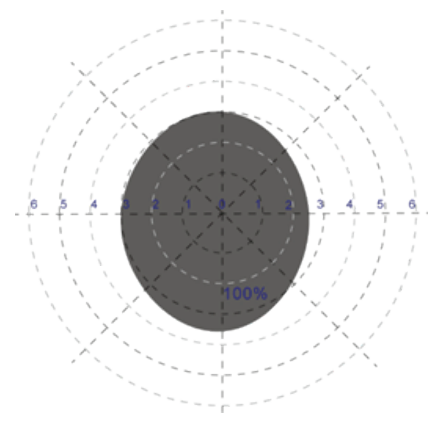
Normal moving (Speed: 1m/s)

Ceiling Mounting Height: 3m  
 Detection Area: 100%/75%/50%/25%

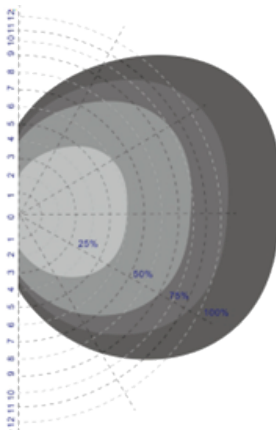


Normal moving (Speed: 1m/s)

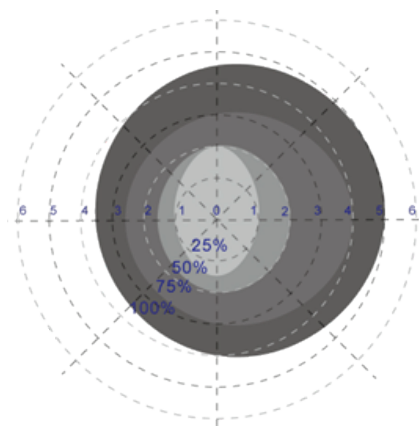
Ceiling Mounting Height: 4m  
 Detection Area: 100%



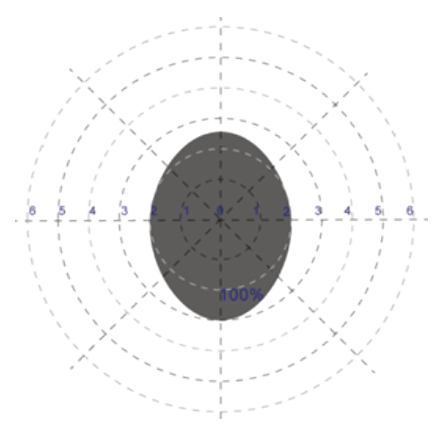
Normal moving (Speed: 1m/s)  
 \*When installed at 4m mounting height, sensor with 75%/50%/25% detection area is unable to detect motion signals.



Slow moving (Speed 0.3m/s)



Slow moving (Speed 0.3m/s)



Slow moving (Speed 0.3m/s)  
 \*When installed at 4m mounting height, sensor with 75%/50%/ 25% detection area is unable to detect motion signals

## 9- Initialization

After power on, the sensor automatically turns on light to 100% brightness and turns off light in 10 seconds. During initialization, sensor is not able to detect movement.

## 10- Factory setting

Detection Area: 100%, Hold Time: 5S, Daylight Sensor: Disable.

## 11- Application Notice

- 1- Sensor should be installed by a professional electrician. Please turn off power before installing, wiring, or setting the DIP switches.
- 2- Microwaves cannot penetrate metal. Do not place product in a closed or a half-closed metal lamp. Neither metal nor glass is not allowed to cover above the product. If antenna needs to pass through the metal plate, please ensure that the top of sensor is close to the metal plate.
- 3- The distance among sensors should be greater than two meters. Keep sensor away from switches, routers and other wireless devices to avoid radio interference, more than two meters. The antenna surface of microwave module should be away from input AC and output DC to avoid low or high frequency signals affecting the normal operation of microwave sensor's antenna.
- 4- Vibration signals will be regarded as moving signals to trigger sensor. Installing sensor should be away from the object that vibrates for a long time, such as large metal equipment, pipes, air conditioning outlets, exhaust vents, smoke exhaust machine ports, shaking fans, etc. Pets in detecting area may trigger sensing.
- 5- Sensor is for indoor use only. The waterproof effect for outdoor or half-outdoor use will be affected. Wind, rain, and moving objects may cause false triggering. When the sensor is installed in a metal lamp, on a metal reflective surface, or in a narrow enclosed device, the microwave will be reflected repeatedly and cause false triggering. Please reduce the sensitivity of sensor or contact manufacturer for technical support.
- 6- This model is suitable for ceiling mounting. If wall mounting, the detecting area will enlarge which makes microwave penetrate wall or light not turn off, and please change sensitivity to 10%. If 10% is useless, please avoid wall mounting or contact the manufacturer for technical support.
- 7- Due to continuous improvement, the contents of this instruction will be changed without prior notice.
- 8- The daylight thresholds are measured on a sunny day without shadow and in an ambient light diffuse reflection status. Different environment and climate cause different brightness values that daylight sensor measures.
- 9- Sensitivity area is related to moving speed of objects, size of moving objects, mounting height, mounting angle, working environment, reflecting materials and etc.
- 10- Given detecting area is typical value that was measured by 165cm high testers in an indoor open environment.
- 11- To achieve the best detection results, the antenna surface of microwave sensor should be at least five millimeters higher than surrounding plates, such as aluminum substrate, glass fiber board and so on.
- 12- When ambient temperature is over 80°C, over temperature protection may be triggered (automatic recovery after cooling)